

**Pressure Gauges / Manifolds / Needle Valve / MP1W112**

**CONSTRUCTIVE PROPERTIES**

	STANDARD	OPTIONAL
Mounting Type	Vertical	-
Case	Stainless Steel AISI-316L	Monel 400   Hastelloy C276   Stainless Steel 316 Ti
Open-Close Wheel	Stainless Steel AISI-316L	Monel 400   Hastelloy C276   Stainless Steel 316 Ti
Orifice Diameter	4 mm.	-
Inlet Connections	1/2" NPT	1/4" NPT   3/8" NPT   1/2" BSPP   1/4" BSPP   3/8" BSPP   1/2" BSPT   1/4" BSPT   3/8" BSPT
Outlet Connections	1/2" NPT	1/4" NPT   3/8" NPT   1/2" BSPP   1/4" BSPP   3/8" BSPP   1/2" BSPT   1/4" BSPT
Drain Plug	1/4" NPT	-
Packing	PTFE	Graphoil

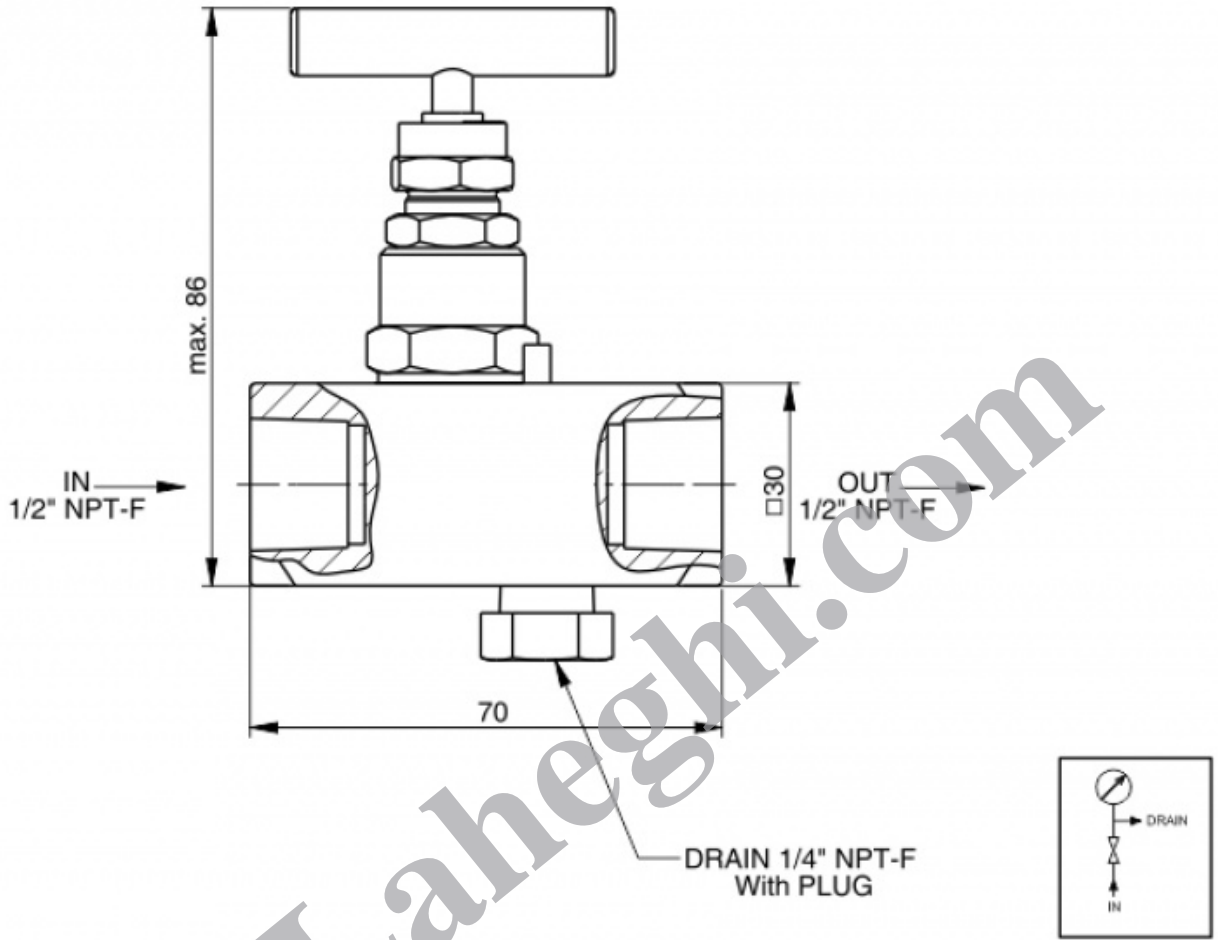


**MP1W112BSN2N2PS**

**USAGE PROPERTIES**

Fluid Temperature	-73 °C...+210 °C	-54 °C...+510 °C
Operating Pressure (max.)	6000 psi/413 bar	10000 psi/698 bar
Leakage Test	Helium Sniffer Leakage Test	
Conformity	NACE MR 1075   O2	

www.laneghi.com



Model No: MP1W112BSN2N2PS

Vertical